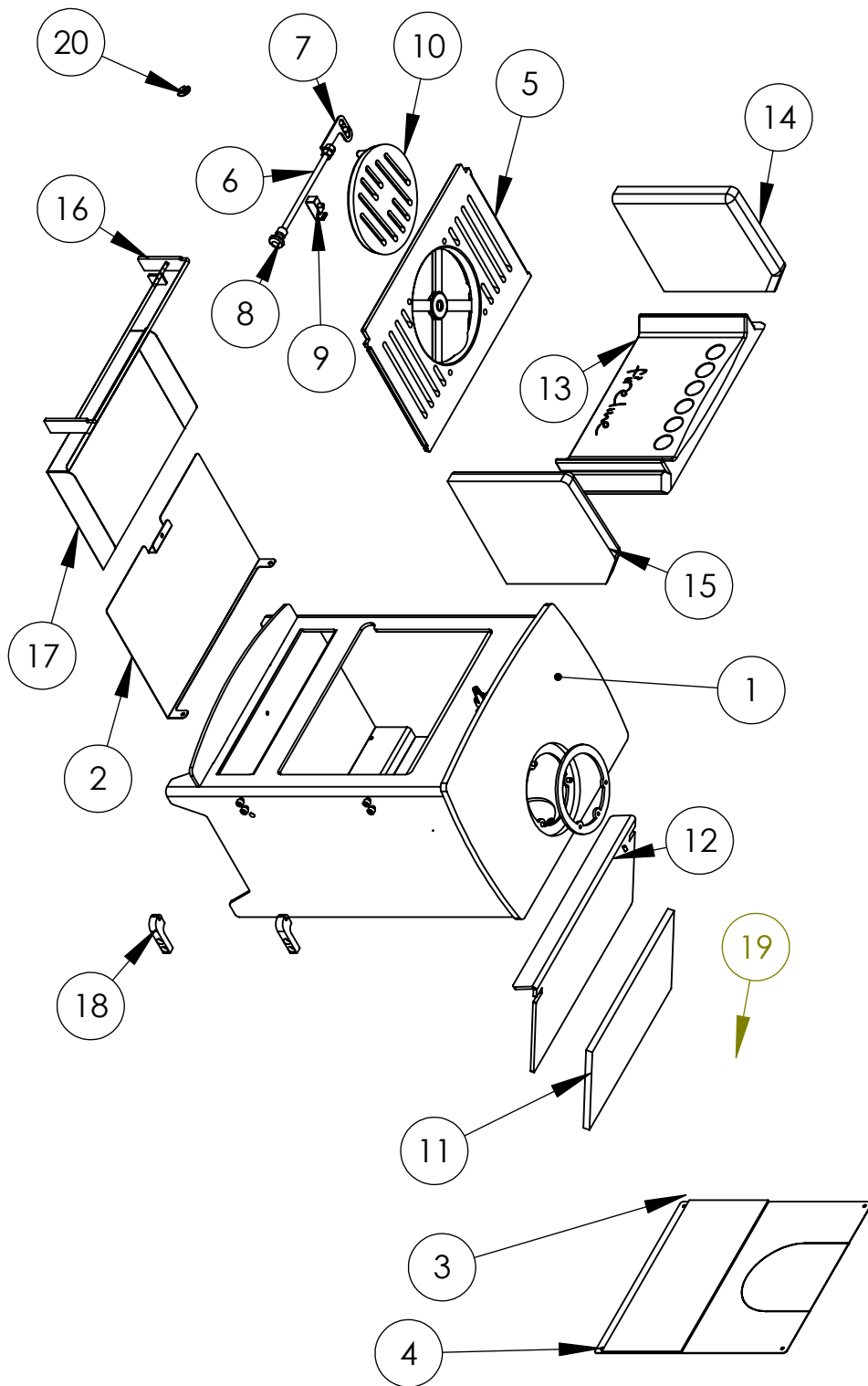


Fireline range Exploded Drawing



ITEM NO.	Description	5KW	5KW Wide	8KW	QTY.
1	F0001 FX FP Body Assembly				1
2	Bottom Heatshield	8161	8161	8172	1
3	Blanking Plate	7080	7106	8172	1
4	Rear Heatshield	8147	8168	8168	1
5	Main Grate	8158	8169	8178	1
6	Riddle Rod	8144	8166	8166	1
7	Grate Link	8252	8179	8179	1
8	Large Riddle Knob	PSP-0033 Needs Painting Black	PSP-0033 Needs Painting Black	PSP-0033 Needs Painting Black	1
9	Riddle Rod Support	PSP-0033 Needs Painting Black			1
10	Centre Grate	PSP-0065	PSP-0065	PSP-0065	1
11	baffle Insulation Board	7753	7754	8177	1
12	F0005 FX FP Baffle	8154	8163	8175	1
13	Rear Ceramic	8138	8162	8162	1
14	Side Ceramic	RH:8153	RH:8153	RH:8174	1
15	Side Ceramic	LH: 8152	LH:8152	LH:8173	1
16	Fuel Retainer Assy	8142	8164	8164	1
17	Ashpan Tray	8155	8165	8176	1
18	Door hinge	7769	7769	7769	2
19	Spigot with test point Assy	7130	7130	7130	1
20	DEFRA Air Limiter	8159	8159	8159	1
33	FPX45-SPGS spigot gasket				1